



INSTYTUT TECHNIKI BUDOWLANEJ
PL 00-611 WARSZAWA
ul. Filtrowa 1
tel.: (+48 22) 825-04-71
(+48 22) 825-76-55
fax: (+48 22) 825-52-86
www.itb.pl



Member of



www.eota.eu

European Technical Assessment

**ETA-12/0579
of 30/06/2017**

General part

Technical Assessment Body issuing the European Technical Assessment

Instytut Techniki Budowlanej

Trade name of the construction product

IDP Flat Roof Fasteners

Product family to which the construction product belongs

Fasteners for flexible roof waterproofing systems

Manufacturer

P.H. HAMAR Sp. J. B. i H. Grzesiak
ul. Hutnicza 7
81-061 Gdynia
Poland

Manufacturing plant

P.H. HAMAR Sp. J. B. i H. Grzesiak
ul. Hutnicza 7
81-061 Gdynia
Poland

This European Technical Assessment contains

33 pages including 29 Annexes which form an integral part of this Assessment

This European Technical Assessment is issued in accordance with regulation (EU) No 305/2011, on the basis of

Guideline for European Technical Approval ETAG 006, edition March 2000, amended November 2012 "Systems of mechanically fastened flexible roof waterproofing membranes", used as European Assessment Document (EAD)

This version replaces

ETA-12/0579 issued on 27/12/2012

This European Technical Assessment is issued by the Technical Assessment Body in its official language. Translations of this European Technical Assessment in other languages shall fully correspond to the original issued document and shall be identified as such.

Communication of this European Technical Assessment, including transmission by electronic means, shall be in full. However, partial reproduction may only be made with the written consent of the issuing Technical Assessment Body. Any partial reproduction has to be identified as such.

Specific part

1 Technical description of the product

The construction products are mechanical fasteners IDP Flat Roof Fasteners. The fasteners comprise a screw made of carbon steel protected by ceramic coating and a washer with integrated sleeve made of plastic material (polypropylene or polyamide) or a washer made of zinc-coated steel.

The fasteners shall correspond to the drawings and information given in Annexes 1 to 27.

2 Specification of the intended use in accordance with the applicable European Assessment Document (EAD)

The fasteners for systems of mechanically fastened flexible membranes are intended to be used to fasten waterproofing membranes. The possible substructures are steel decks, concrete or timber structures.

The provisions made in this European Technical Assessment are based on an assumed working life of the fasteners of 10 years. The indications given on the working life cannot be interpreted as a guarantee given by the producer or Technical Assessment Body, but are to be regarded only as a means for choosing the right products in relation to the expected economically reasonable working life of the works.

3 Performances of the product and references to the methods used for their assessment

3.1 Performance of the product

3.1.1 Safety in case of fire (BWR 2)

Reaction to fire: No performance assessed.

External fire performance: No performance assessed.

3.1.2 Hygiene, health and the environment (BWR 3)

Regarding the dangerous substances there may be requirements applicable to the products falling within its scope (e.g. transposed European legislation and national laws, regulations and administrative provisions). In order to meet the provisions of the Construction Products Regulation, these requirements need also to be complied with, when and where they apply.

3.1.3 Safety and accessibility in use (BWR 4)

The characteristic values of the axial loading resistance of the fasteners are given in Annexes 28 and 29. The values were determined by axial loading tests according to ETAG 006.

The fasteners are deemed to satisfy the requirements of ETAG 006 concerning unwinding. This was evaluated on the basis of existing field experience of the manufacturer.

3.1.4 Sustainable use of natural resources (BWR 7)

No performance assessed.

3.1.5 General aspects relating to fitness for use

The durability requirements of ETAG 006 (resistance to corrosion of metallic parts, impact resistance and brittleness of plastic parts before and after heat ageing, requirements for results of Charpy tests for plastic parts before and after heat ageing) are satisfied for the coated carbon steel and the polypropylene or polyamide parts of the fasteners.

All parts made of carbon steel protected by ceramic coating resisted to 15 cycles of the test procedure described in ETAG 006 (Kesternich test) and did not show more than 15% surface corrosion.

The test results of the impact resistance and brittleness of plastic parts showed a drop height more than 1,0 m before and after heat ageing of these parts. Furthermore the results of the corresponding Charpy tests after heat ageing did not show any significant decline compared to the results before heat ageing.

3.2 Methods used for the assessment

The assessment of fitness of the mechanical fasteners for the declared intended use has been made in accordance with ETAG 006.

4 Assessment and verification of constancy of performance (AVCP) system applied, with reference to its legal base

According to Decision 98/143/EC of the European Commission the system 2+ of assessment and verification of constancy of performance applies (see Annex V to Regulation (EU) No 305/2011).

5 Technical details necessary for the implementation of the AVCP system, as provided for in the applicable European Assessment Document (EAD)

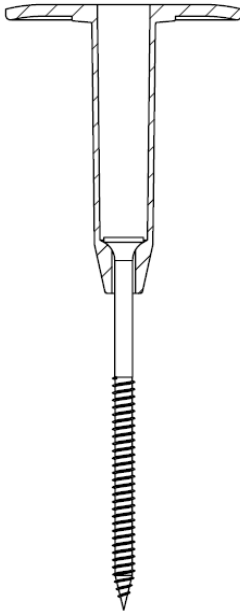
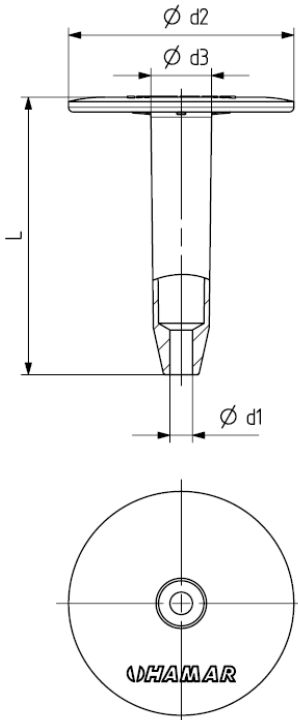
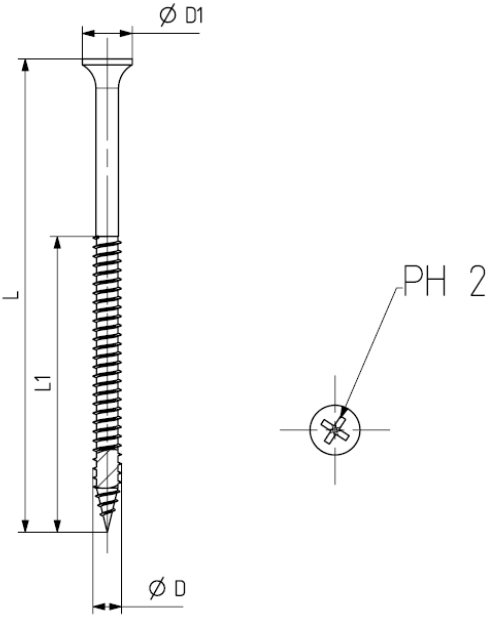
Technical details necessary for the implementation of the AVCP system are laid down in the control plan deposited at the Instytut Techniki Budowlanej.

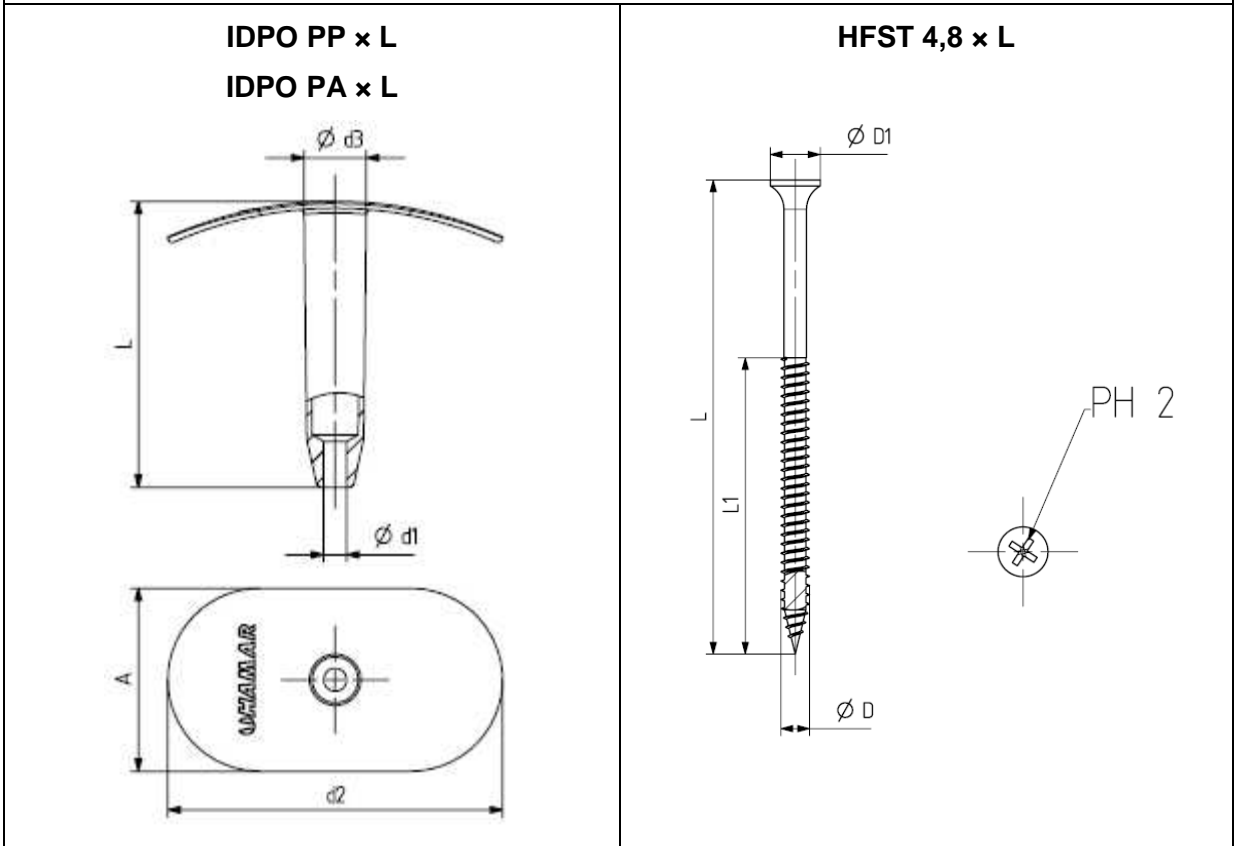
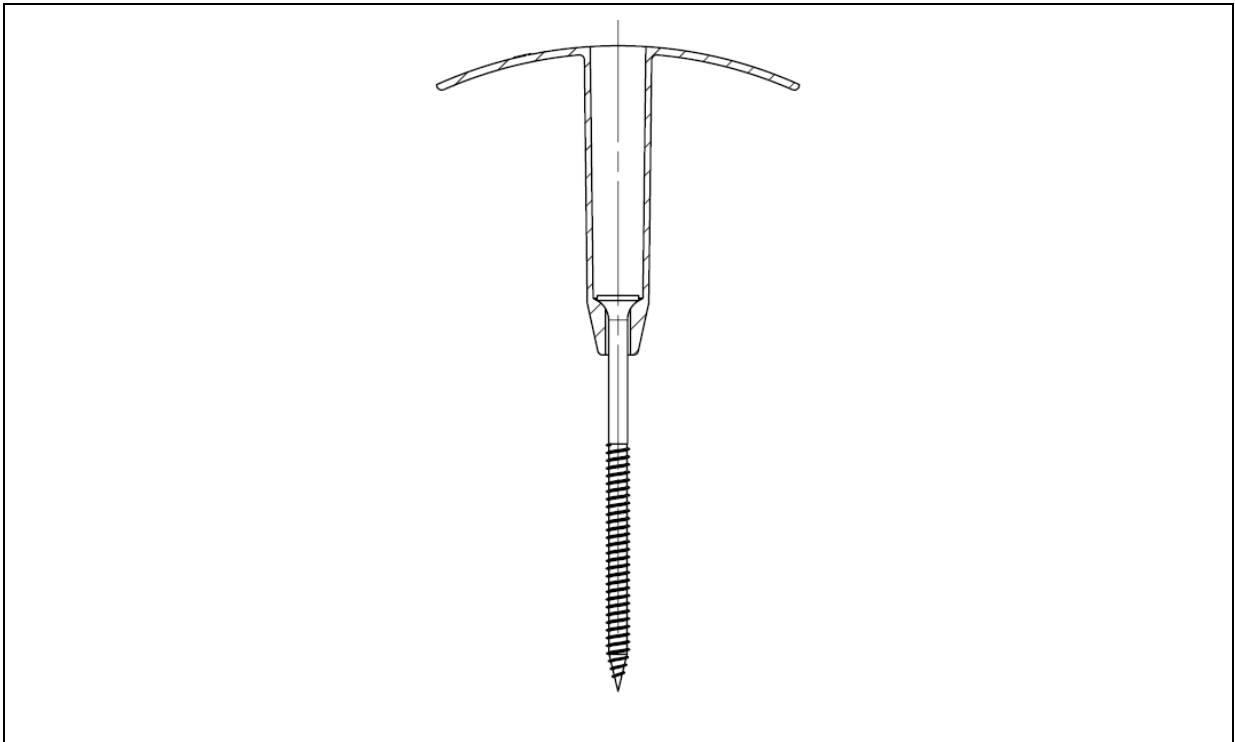
For type testing the results of the tests performed as part of the assessment for the European Technical Assessment shall be used unless there are changes in the production line or plant. In such cases the necessary type testing has to be agreed between Instytut Techniki Budowlanej and the notified body.

Issued in Warsaw on 30/06/2017 by Instytut Techniki Budowlanej



Anna Panek, MSc
Deputy Director of ITB

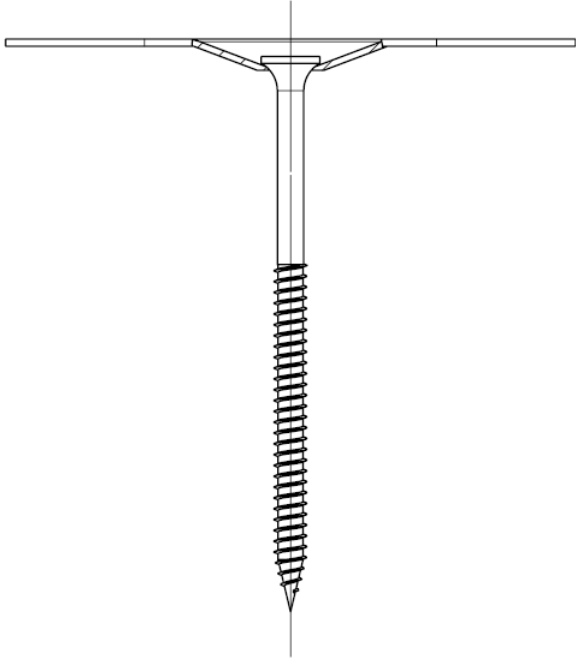
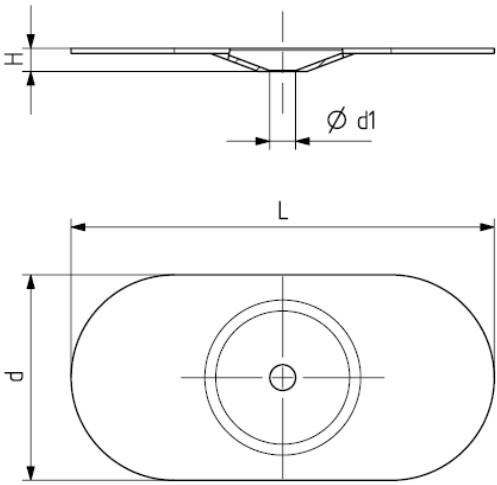
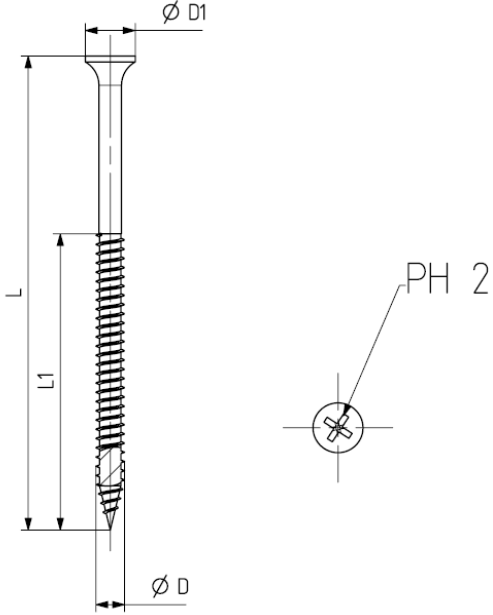
	
<p>IDP PP x L IDP PA x L</p> 	<p>HFST 4,8 x L</p> 
<p>IDP Flat Roof Fasteners</p>	
<p>Combination 1 IDP PP x L and HFST 4,8 x L or IDP PA x L and HFST 4,8 x L</p>	
<p>Annex 1 of European Technical Assessment ETA-12/0579</p>	

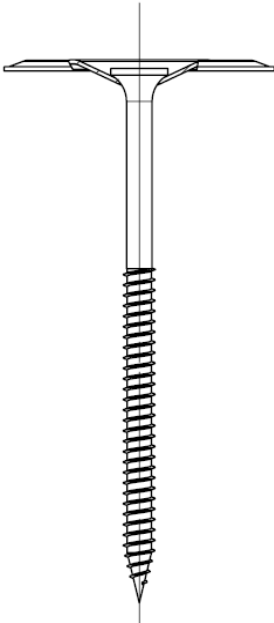
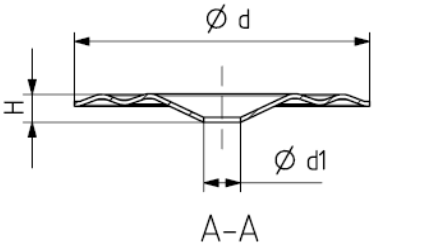
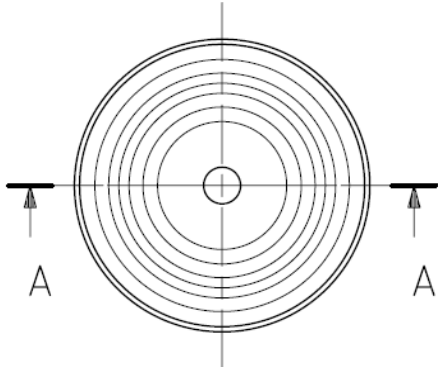
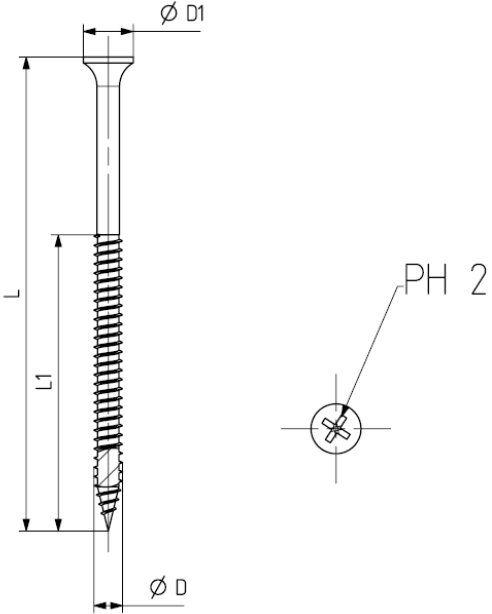


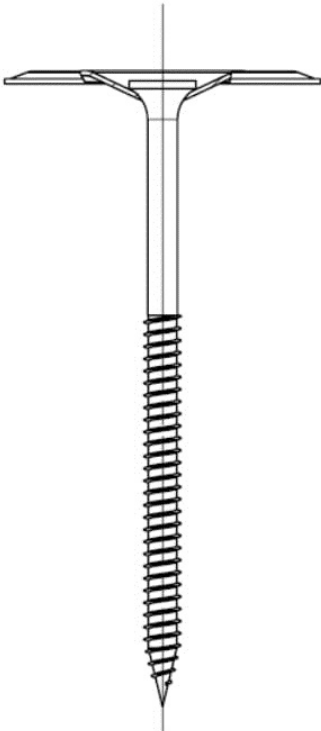
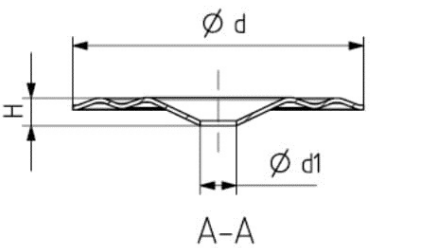
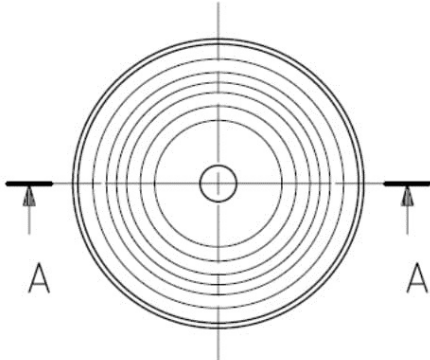
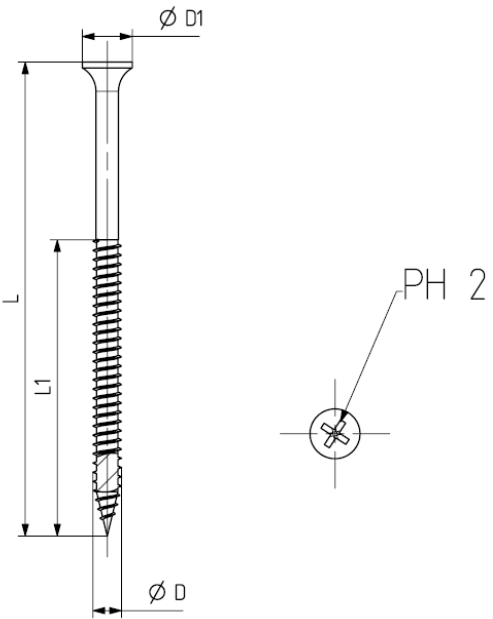
IDP Flat Roof Fasteners

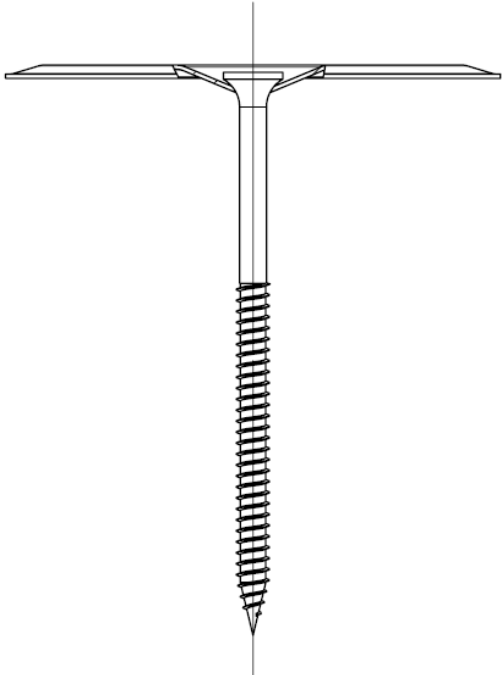
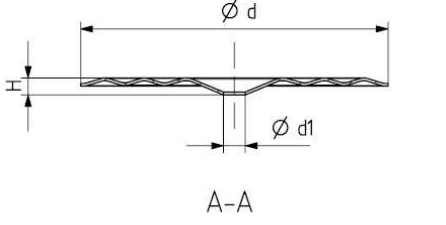
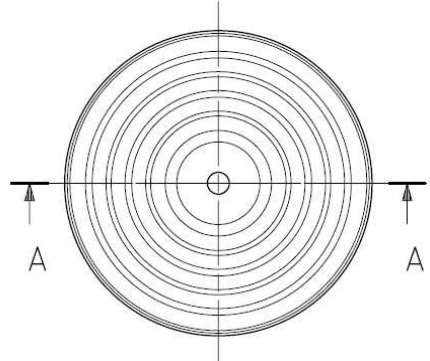
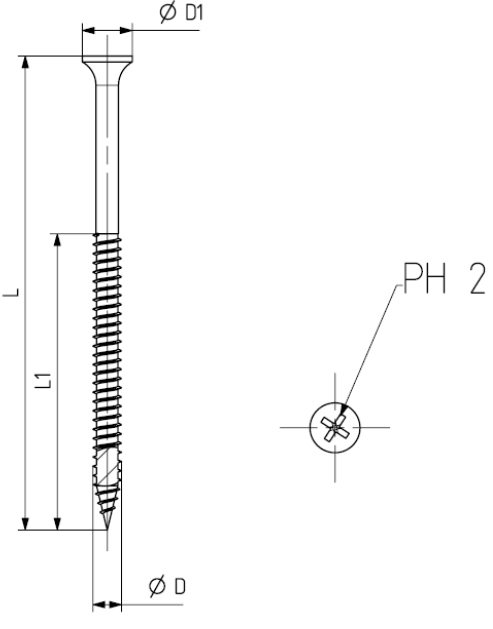
Combination 2
IDPO PP × L and HFST 4,8 × L or IDPO PA × L and HFST 4,8 × L

Annex 2
of European
Technical Assessment
ETA-12/0579

	
<p>LI 40 x 82</p> 	<p>HFST 4,8 x L</p> 
<p>IDP Flat Roof Fasteners</p>	
<p>Combination 3 LI 40 x 82 and HFST 4,8 x L</p>	
<p>Annex 3 of European Technical Assessment ETA-12/0579</p>	

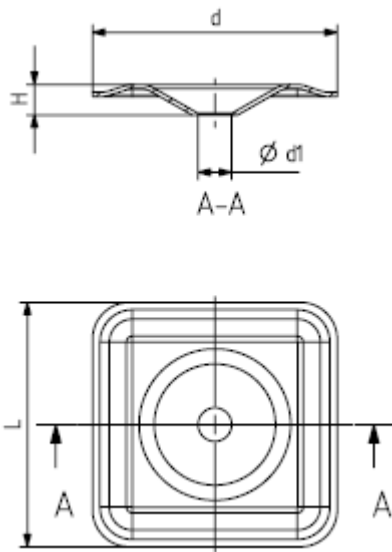
	
<p>LI 40</p>  	<p>HFST 4,8 x L</p> 
<p>IDP Flat Roof Fasteners</p>	
<p>Combination 4 LI 40 and HFST 4,8 x L</p>	
<p>Annex 4 of European Technical Assessment ETA-12/0579</p>	

	
<p>LI 50</p>  	<p>HFST 4,8 x L</p> 
<p>IDP Flat Roof Fasteners</p>	
<p>Combination 5 LI 50 and HFST 4,8 x L</p>	
<p>Annex 5 of European Technical Assessment ETA-12/0579</p>	

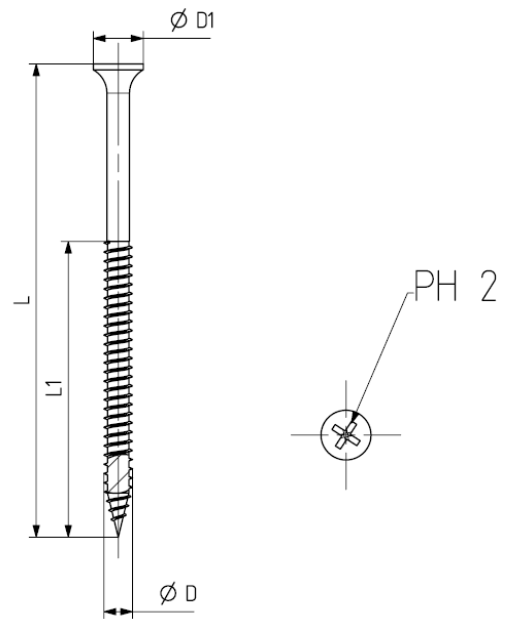
	
<p>LI 70</p>  <p>A-A</p> 	<p>HFST 4,8 x L</p> 
<p>IDP Flat Roof Fasteners</p>	
<p>Combination 6 LI 70 and HFST 4,8 x L</p>	
<p>Annex 6 of European Technical Assessment ETA-12/0579</p>	



LI 40 x 40



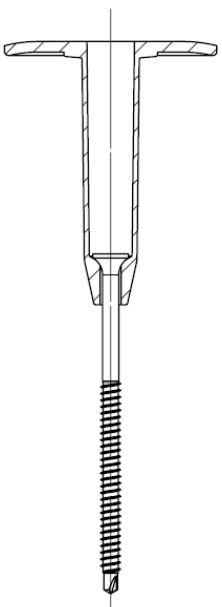
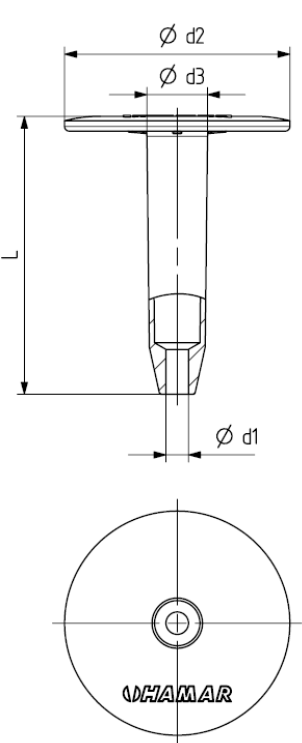
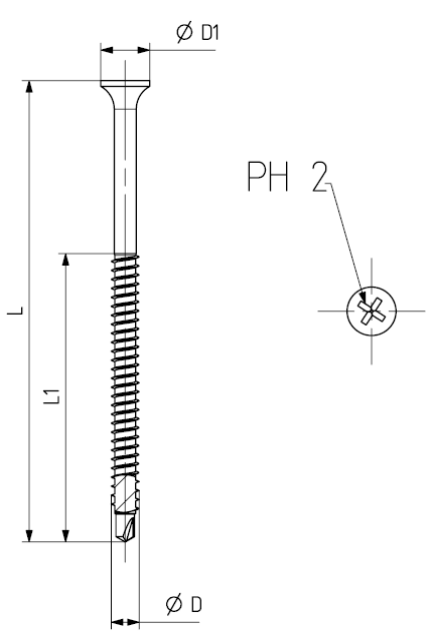
HFST 4,8 x L

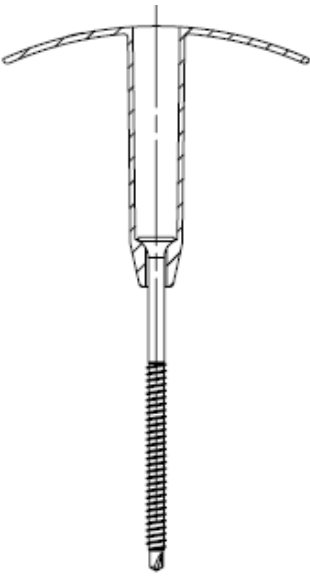
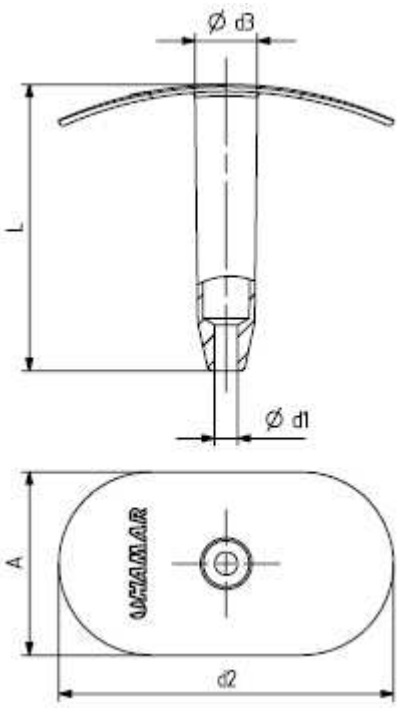
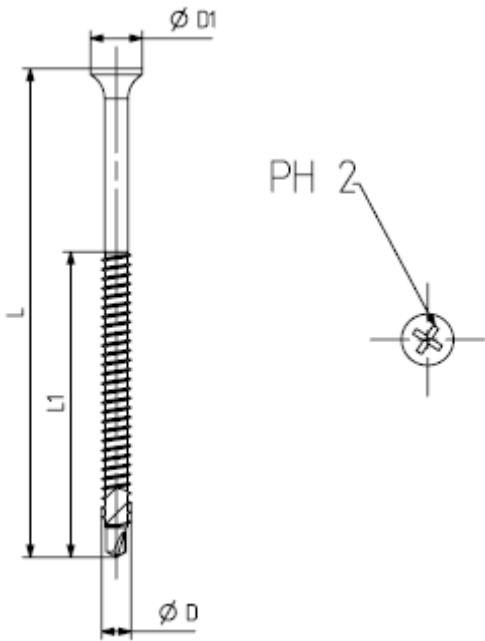


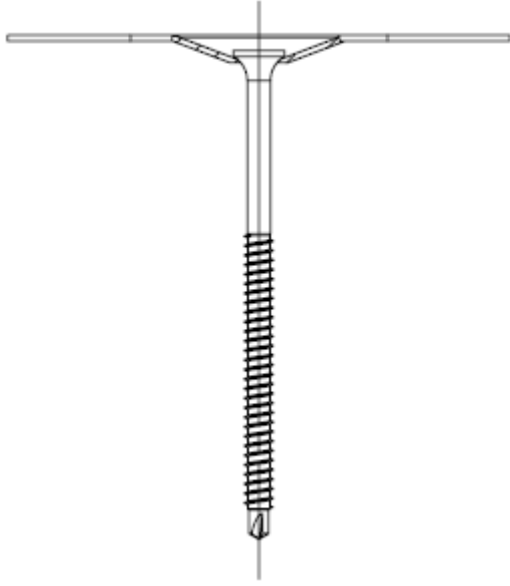
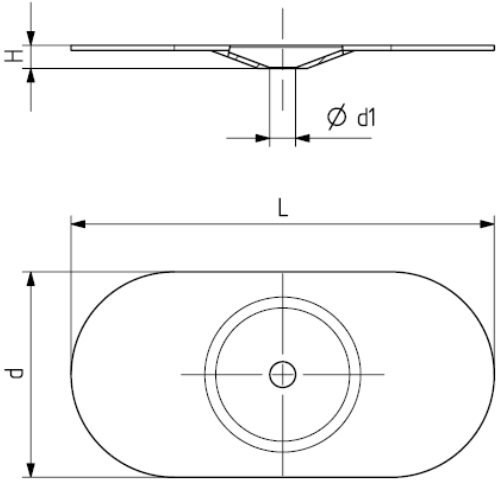
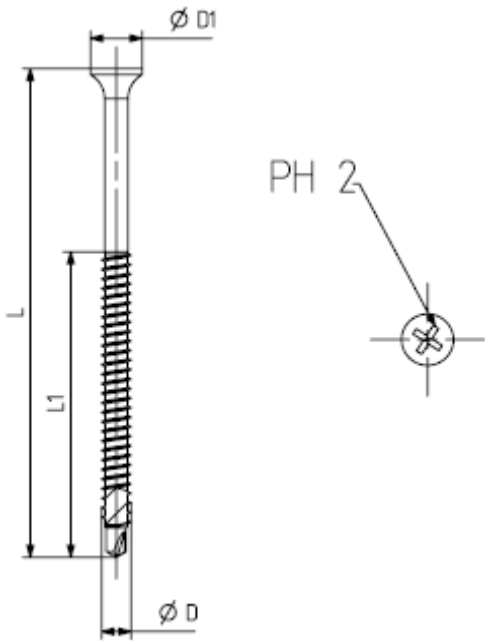
IDP Flat Roof Fasteners

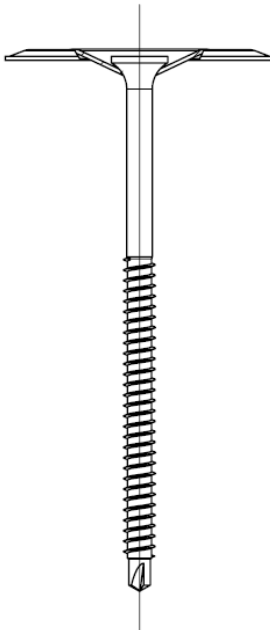
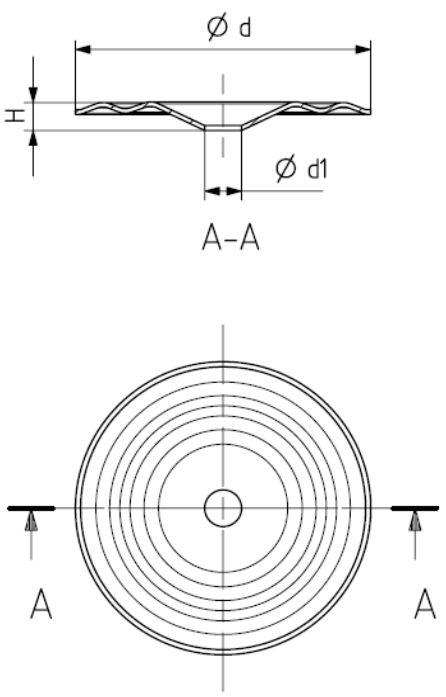
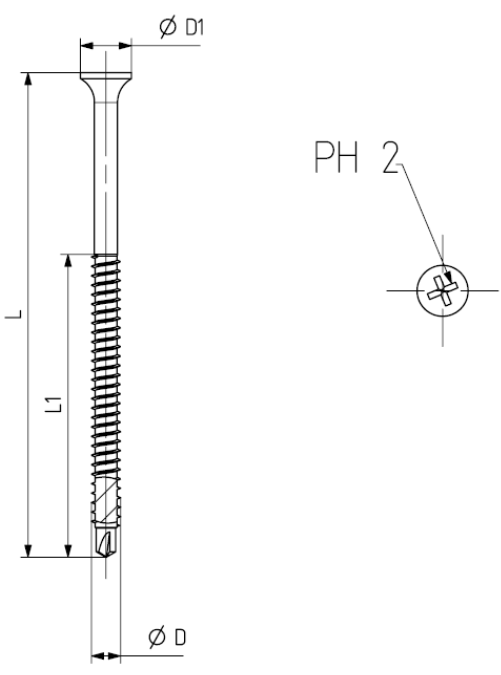
Combination 7
LI 40 x 40 and HFST 4,8 x L

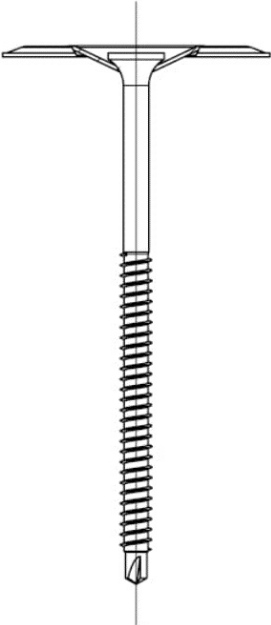
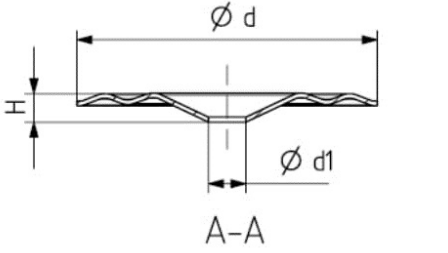
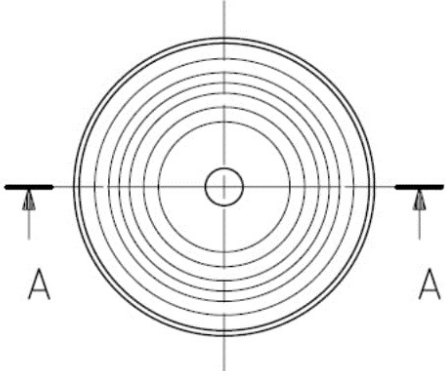
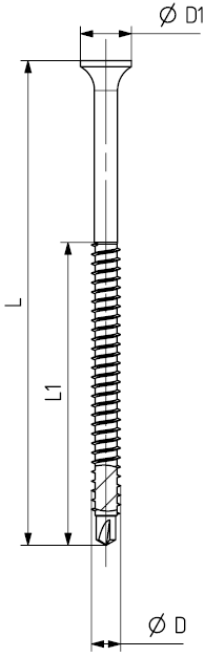
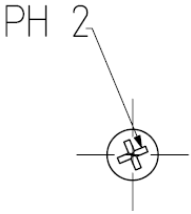
Annex 7
of European
Technical Assessment
ETA-12/0579

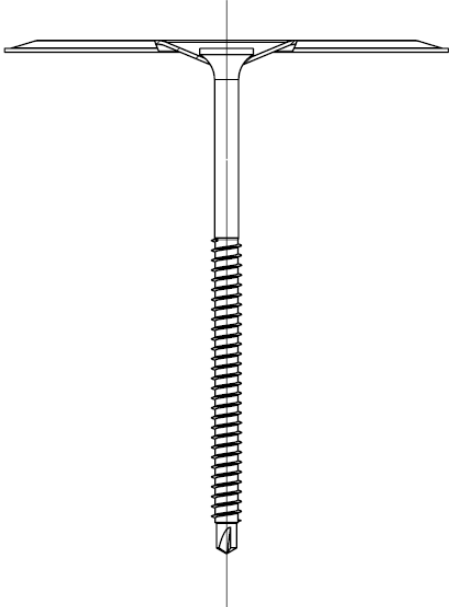
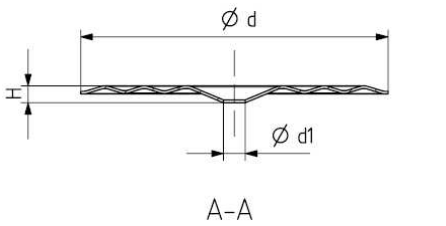
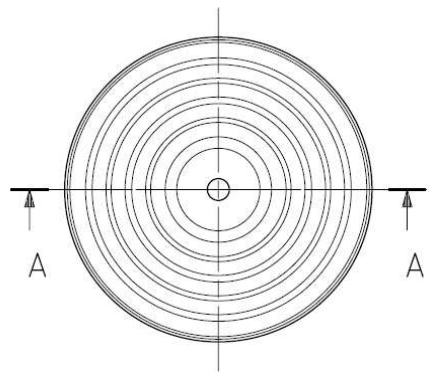
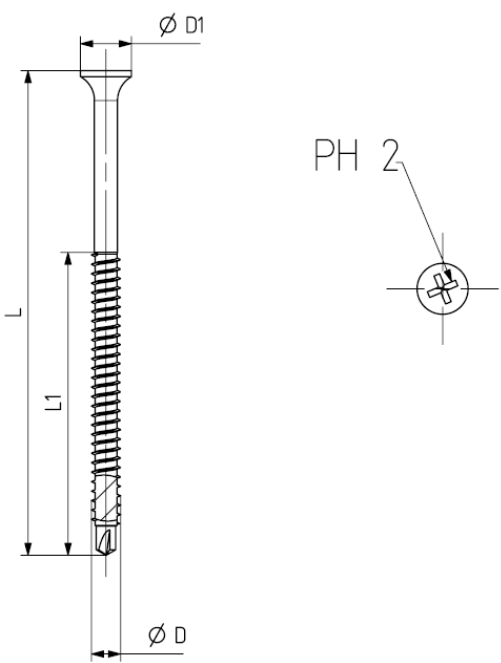
	
<p>IDP PP x L IDP PA x L</p> 	<p>HFSD 4,8 x L</p> 
<p>IDP Flat Roof Fasteners</p>	
<p>Combination 8 IDP PP x L and HFSD 4,8 x L or IDP PA x L and HFSD 4,8 x L</p>	
<p>Annex 8 of European Technical Assessment ETA-12/0579</p>	

	
<p>IDPO PP × L IDPO PA × L</p> 	<p>HFSD 4,8 × L</p> 
<p>IDP Flat Roof Fasteners</p>	
<p>Combination 9 IDPO PP × L and HFSD 4,8 × L or IDPO PA × L and HFSD 4,8 × L</p>	
<p>Annex 9 of European Technical Assessment ETA-12/0579</p>	

	
<p>LI 40 x 82</p> 	<p>HFSD 4,8 x L</p> 
<p>IDP Flat Roof Fasteners</p>	
<p>Combination 10 LI 40 x 82 and HFSD 4,8 x L</p>	
<p>Annex 10 of European Technical Assessment ETA-12/0579</p>	

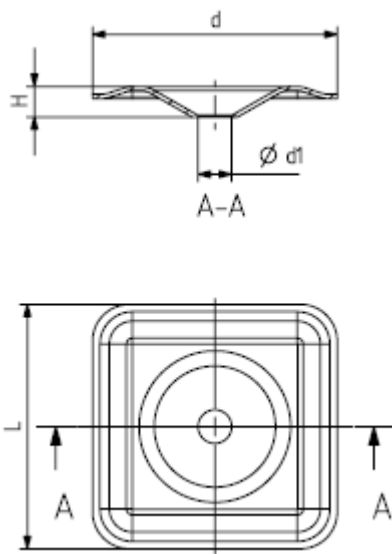
	
<p>LI 40</p> 	<p>HFSD 4,8 x L</p> 
<p>IDP Flat Roof Fasteners</p>	
<p>Combination 11 LI 40 and HFSD 4,8 x L</p>	
<p>Annex 11 of European Technical Assessment ETA-12/0579</p>	

	
<p>LI 50</p>  	<p>HFSD 4,8 x L</p>  
<p>IDP Flat Roof Fasteners</p>	
<p>Combination 12 LI 50 and HFSD 4,8 x L</p>	
<p>Annex 12 of European Technical Assessment ETA-12/0579</p>	

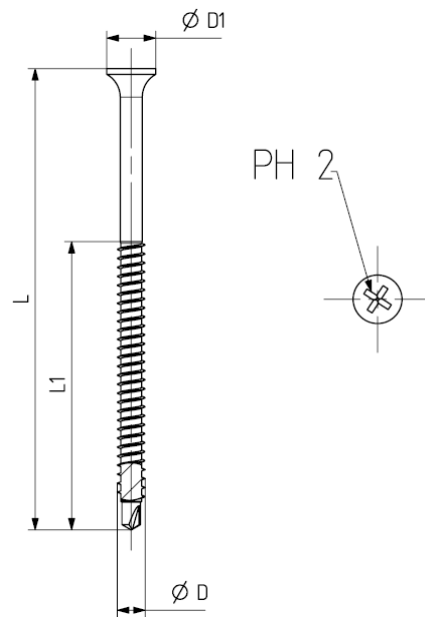
	
<p>LI 70</p>  <p>A-A</p> 	<p>HFSD 4,8 x L</p>  <p>PH 2</p>
<p>IDP Flat Roof Fasteners</p>	
<p>Combination 13 LI 70 and HFSD 4,8 x L</p>	
<p>Annex 13 of European Technical Assessment ETA-12/0579</p>	



LI 40 x 40



HFSD 4,8 x L



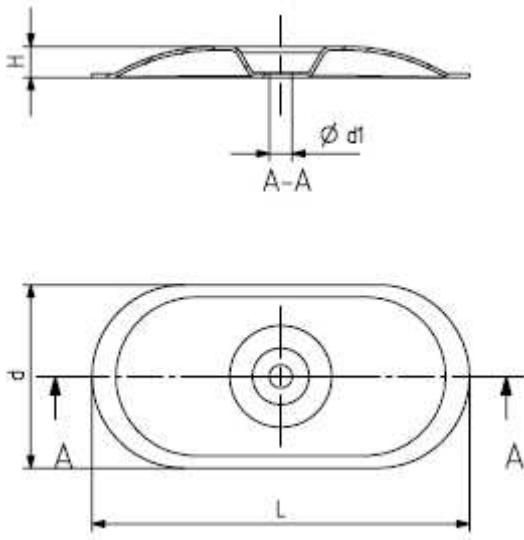
IDP Flat Roof Fasteners

Combination 14
LI 40 x 40 and HFSD 4,8 x L

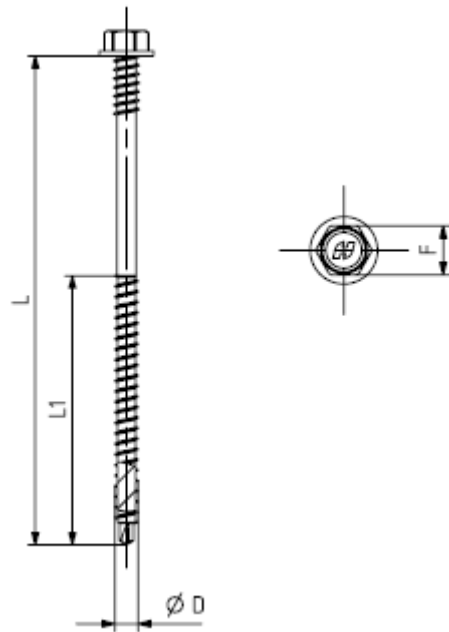
Annex 14
of European
Technical Assessment
ETA-12/0579



LI 40 × 82 H



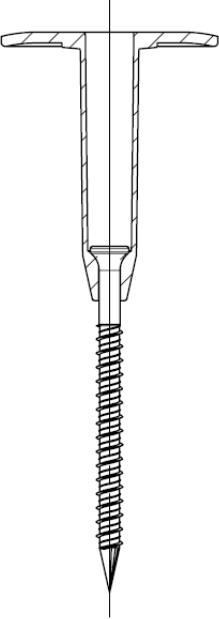
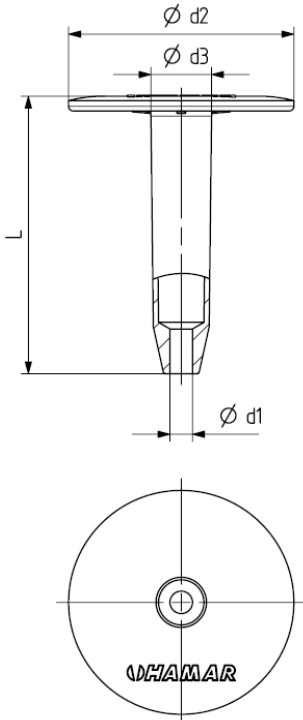
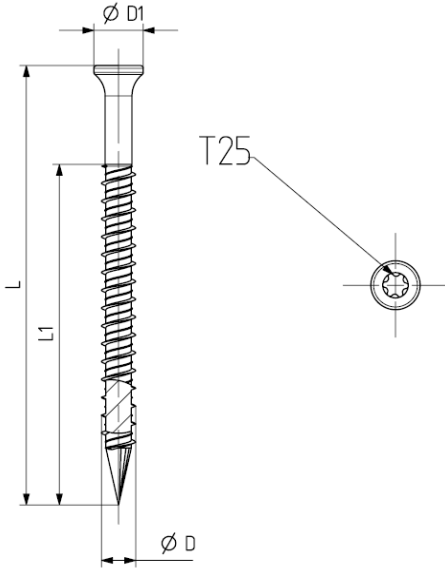
HFHD 4,8 × L

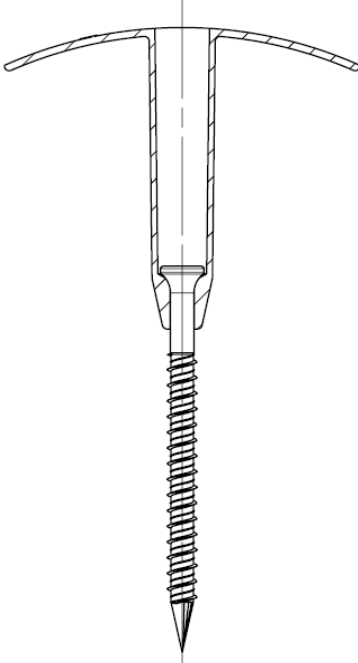
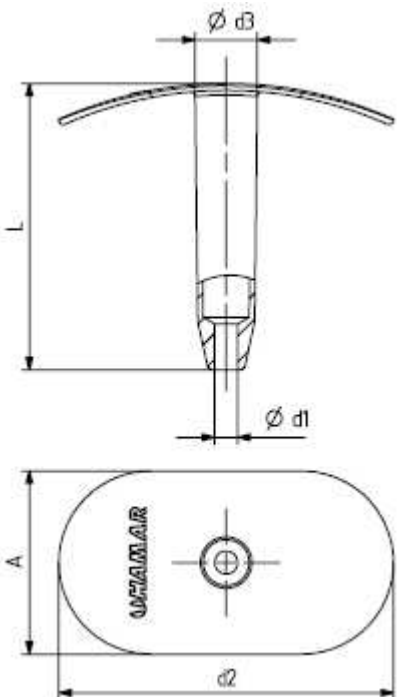
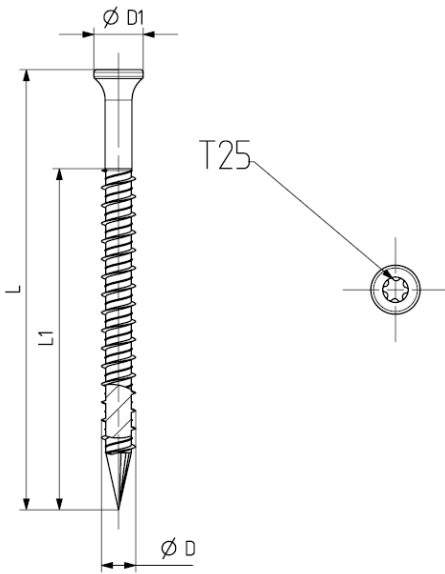


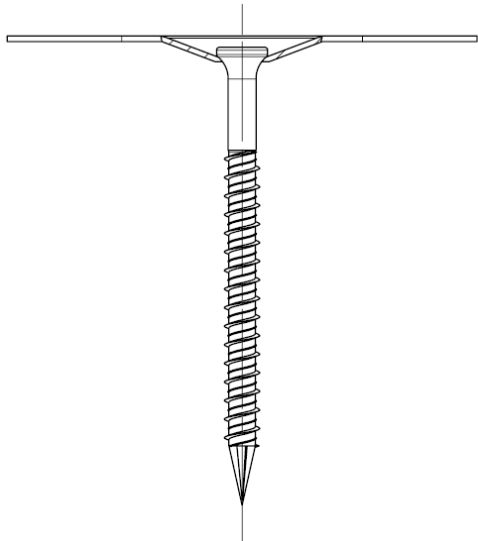
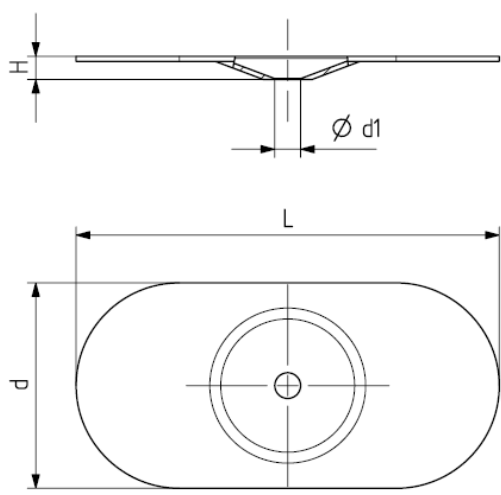
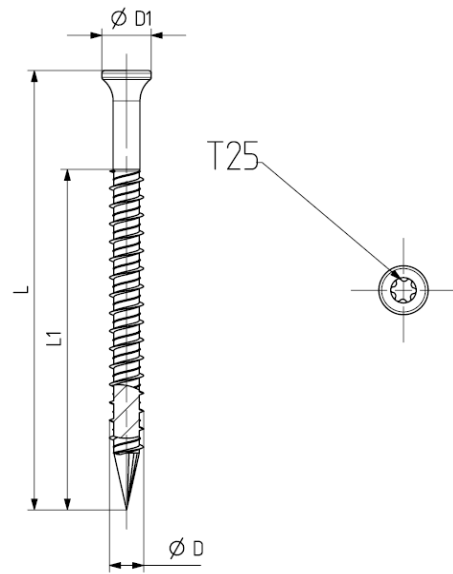
IDP Flat Roof Fasteners

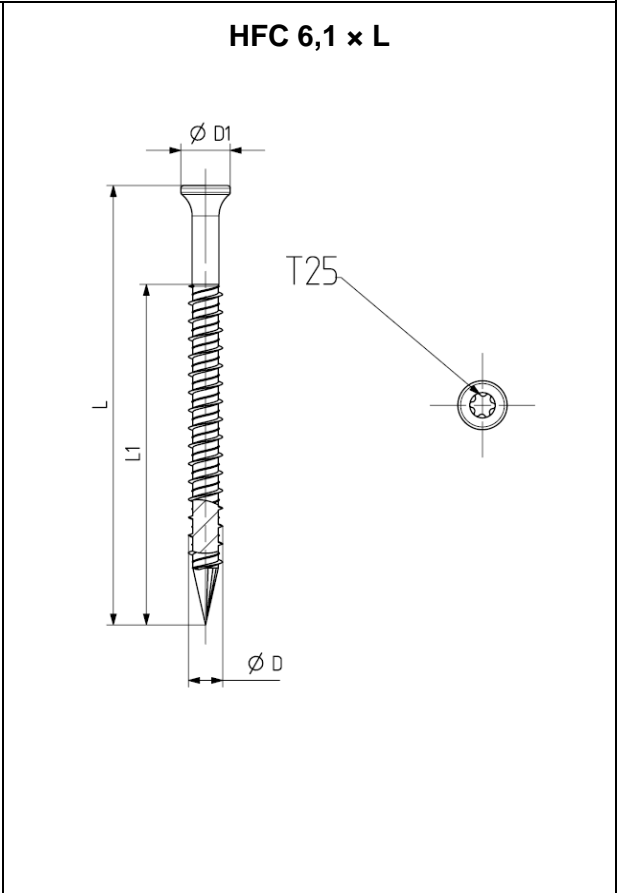
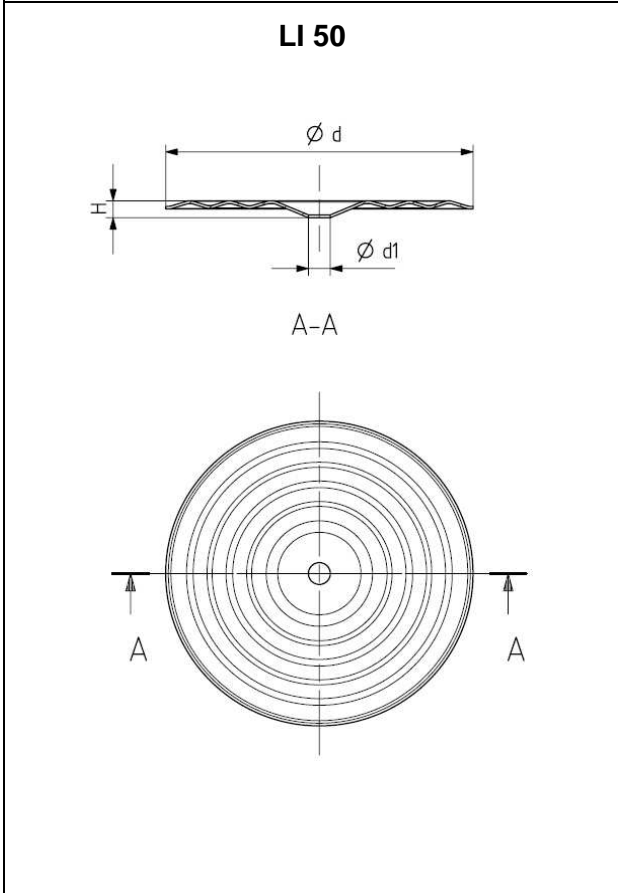
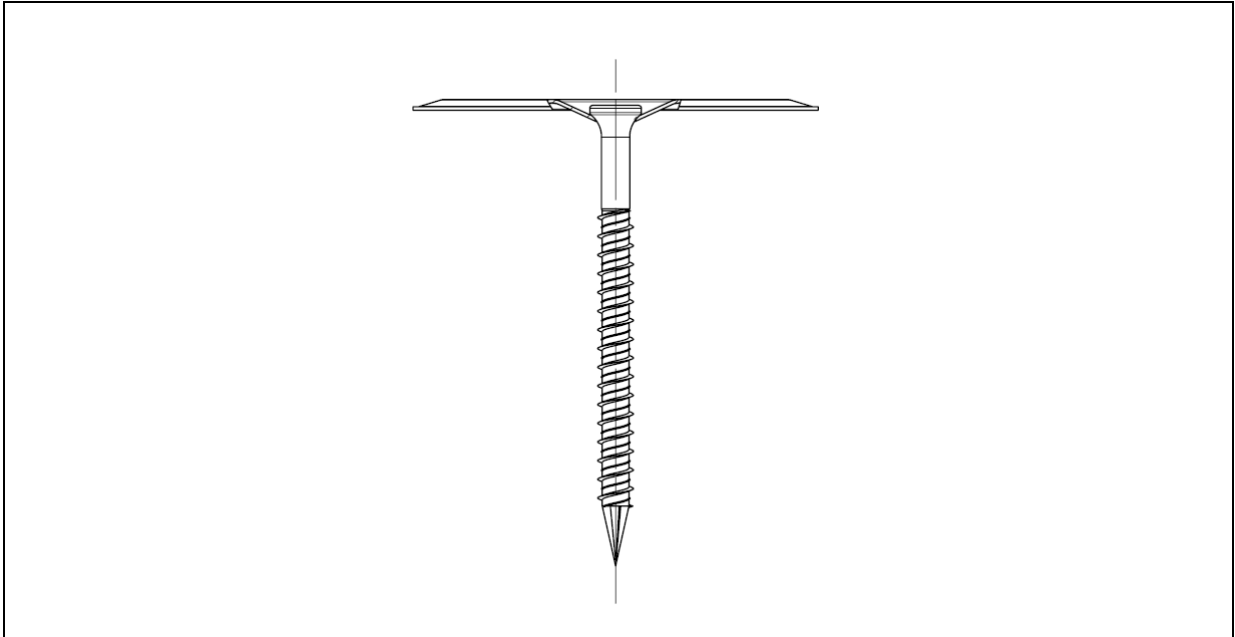
Combination 15
LI 40 × 82 H and HFHD 4,8 × L

Annex 15
of European
Technical Assessment
ETA-12/0579

	
<p>IDP PP × L IDP PA × L</p> 	<p>HFC 6,1 × L</p> 
<p>IDP Flat Roof Fasteners</p>	
<p>Combination 16 IDP PP × L and HFC 6,1 × L or IDP PA × L and HFC 6,1 × L</p>	
<p>Annex 16 of European Technical Assessment ETA-12/0579</p>	

	
<p>IDPO PP x L IDPO PA x L</p> 	<p>HFC 6,1 x L</p> 
<p>IDP Flat Roof Fasteners</p>	
<p>Combination 17 IDPO PP x L and HFC 6,1 x L or IDPO PA x L and HFC 6,1 x L</p>	
<p>Annex 17 of European Technical Assessment ETA-12/0579</p>	

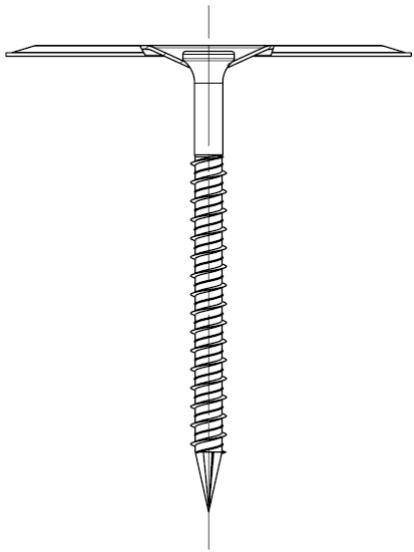
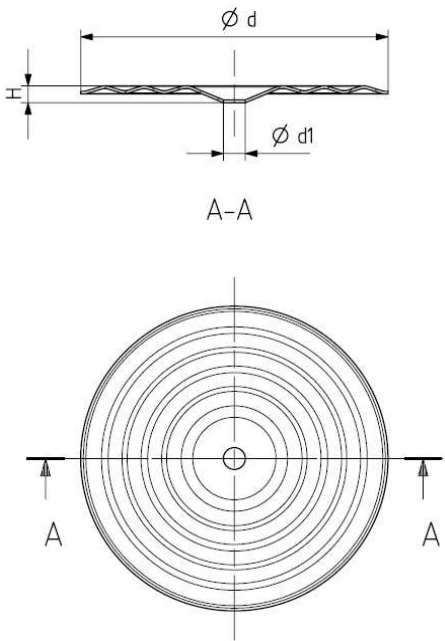
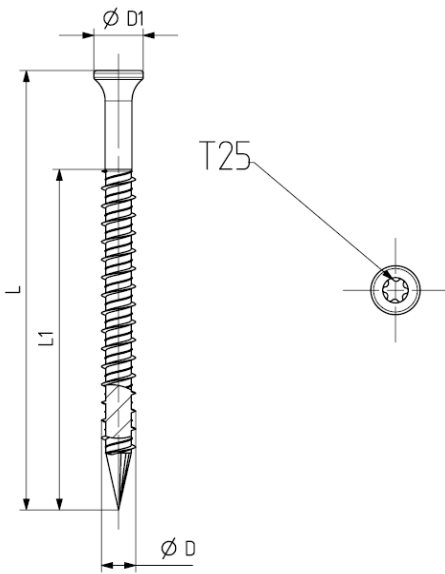
		
LI 40 x 82 	HFC 6,1 x L 	
IDP Flat Roof Fasteners		Annex 18 of European Technical Assessment ETA-12/0579
Combination 18 LI 40 x 82 and HFC 6,1 x L		

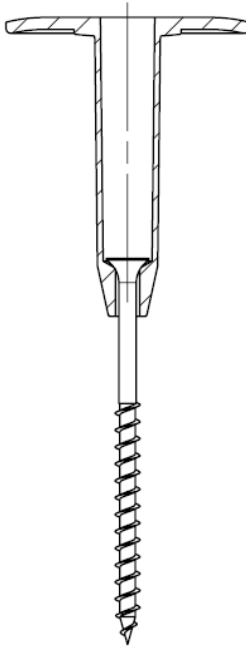
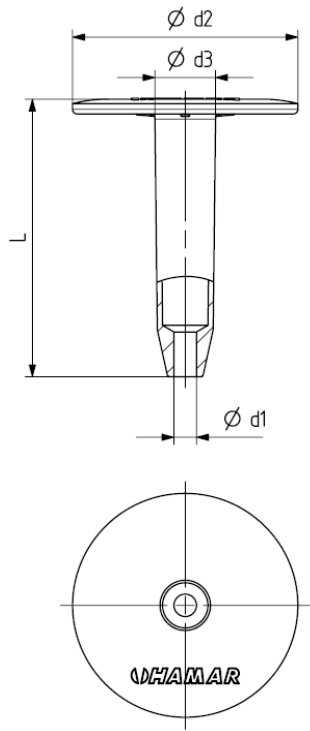
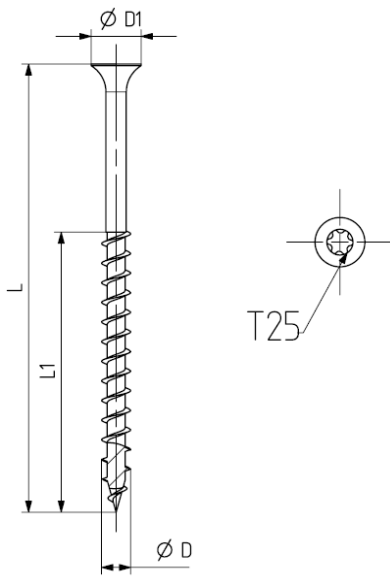


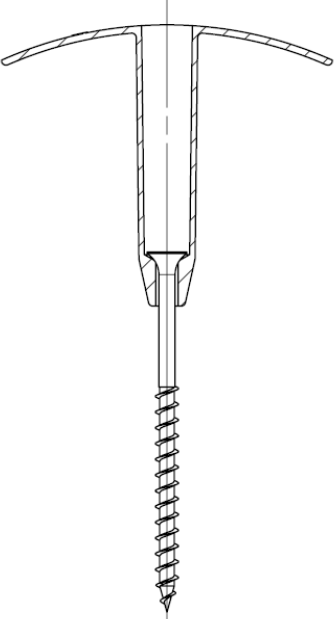
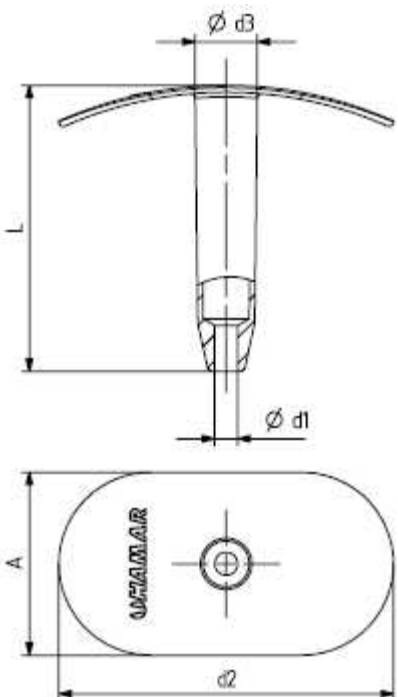
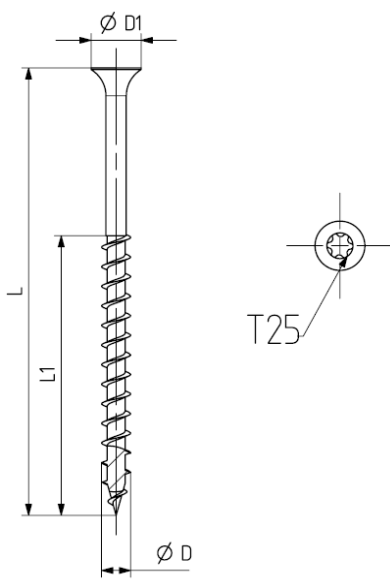
IDP Flat Roof Fasteners

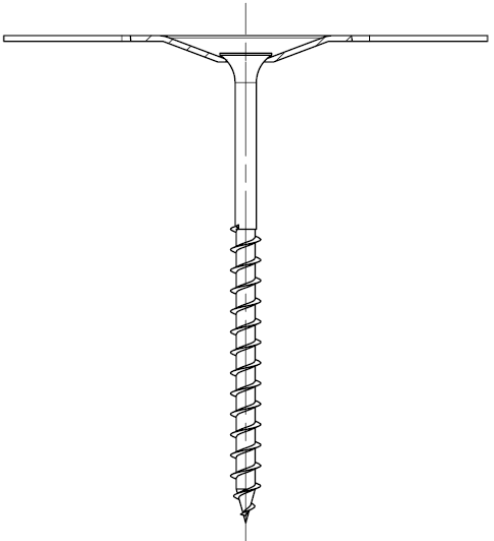
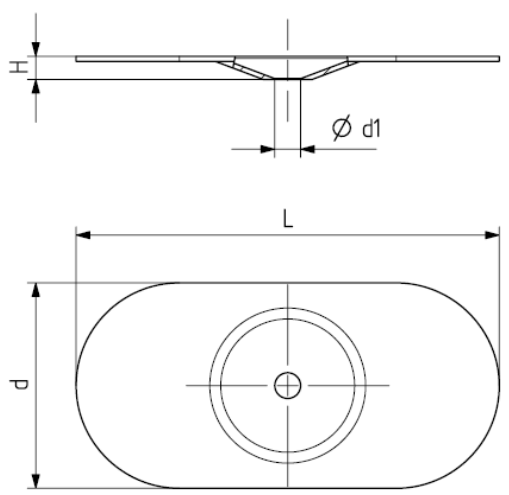
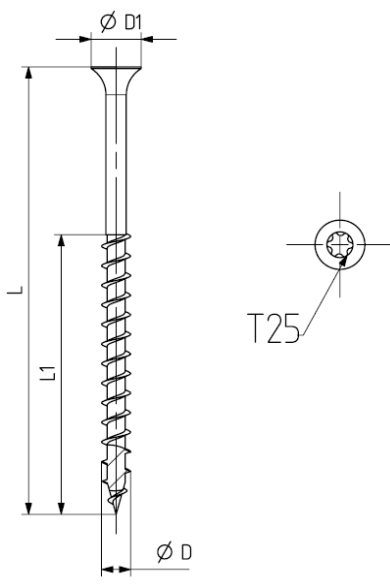
Combination 19
LI 50 and HFC 6,1 x L

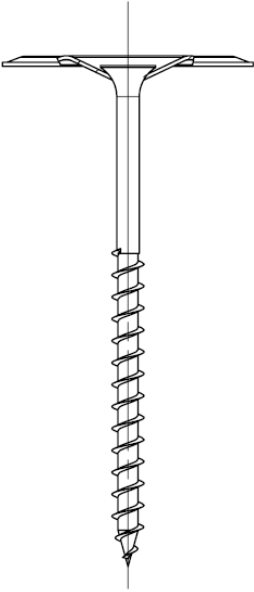
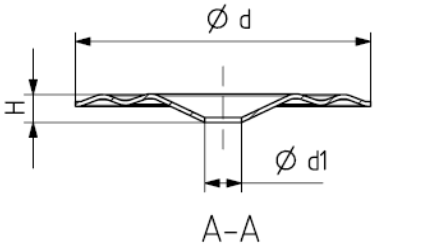
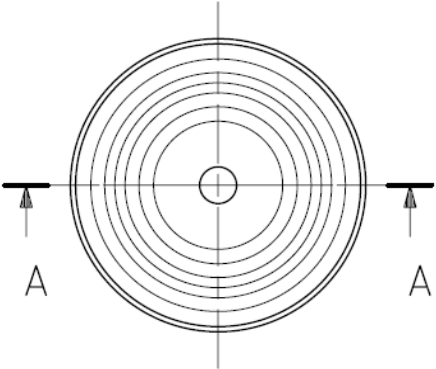
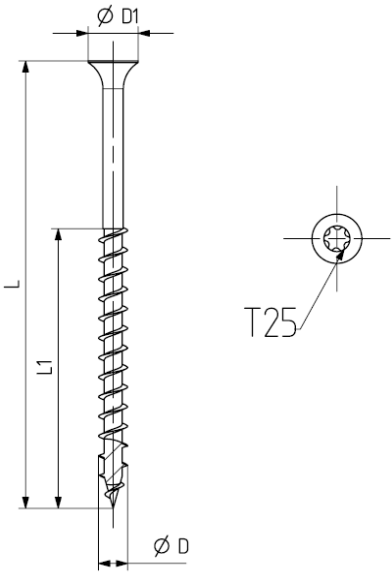
Annex 19
of European
Technical Assessment
ETA-12/0579

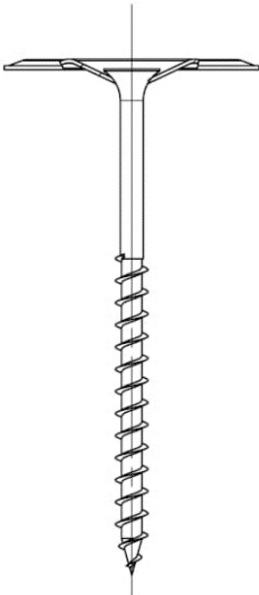
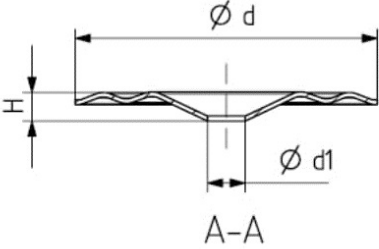
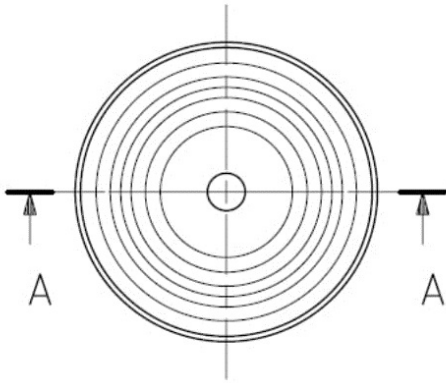
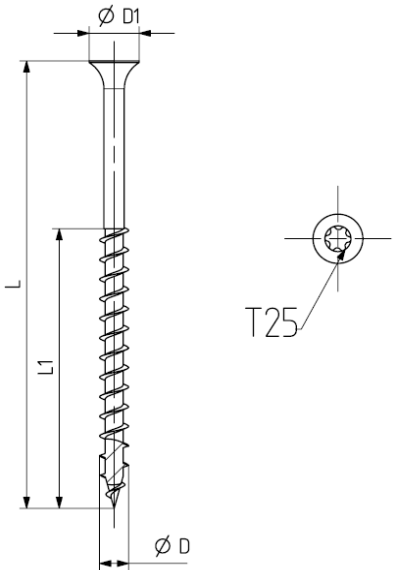
	
<p>LI 70</p> 	<p>HFC 6,1 x L</p> 
<p>IDP Flat Roof Fasteners</p>	
<p>Combination 20 LI 70 and HFC 6,1 x L</p>	
<p>Annex 20 of European Technical Assessment ETA-12/0579</p>	

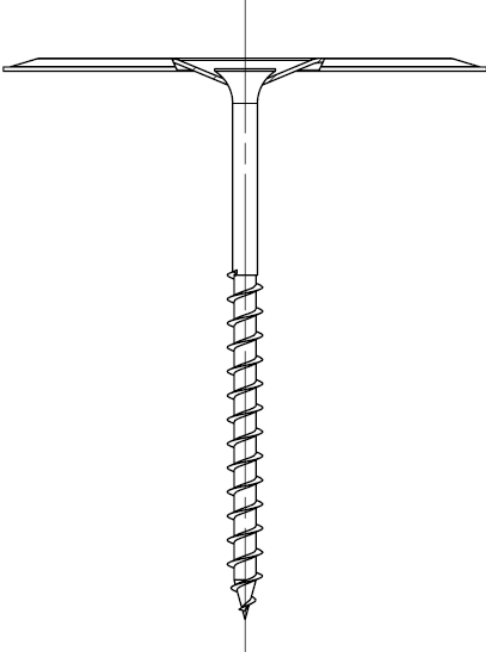
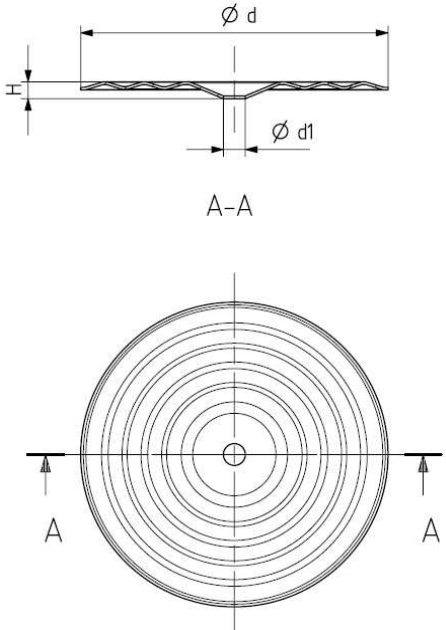
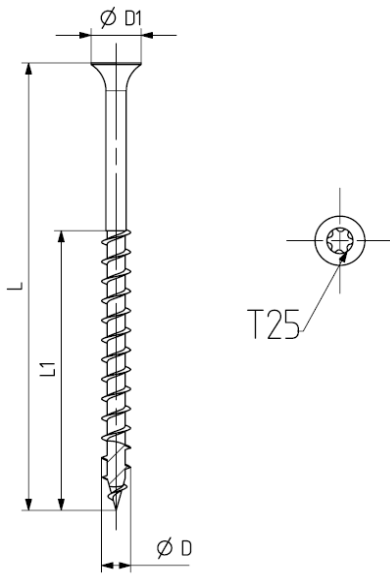
	
<p>IDP PP x L IDP PA x L</p> 	<p>HFW 5,0 x L</p> 
<p>IDP Flat Roof Fasteners</p>	
<p>Combination 21 IDP PP x L and HFW 5,0 x L or IDP PA x L and HFW 5,0 x L</p>	
<p>Annex 21 of European Technical Assessment ETA-12/0579</p>	

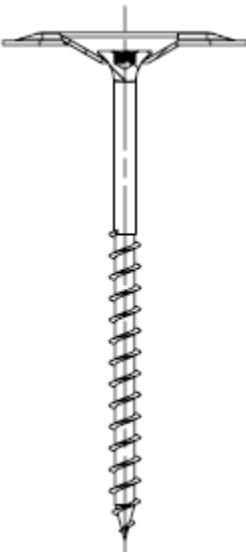
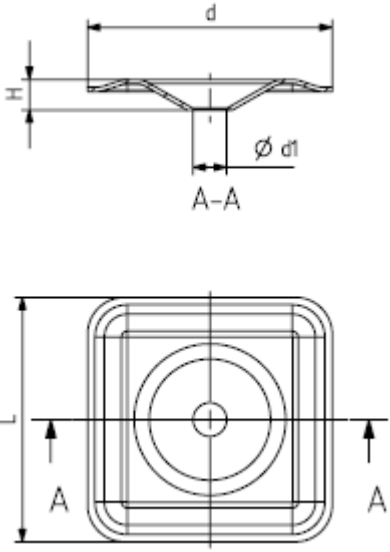
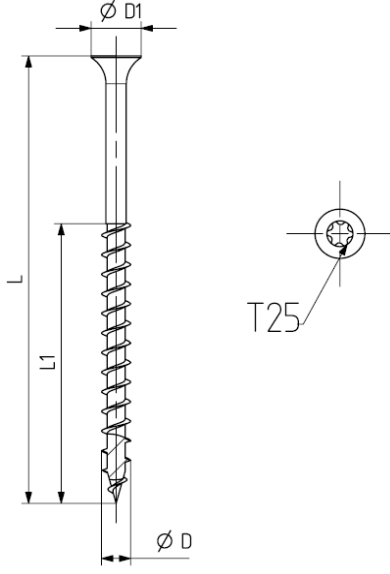
	
<p>IDPO PP × L IDPO PA × L</p> 	<p>HFW 5,0 × L</p> 
<p>IDP Flat Roof Fasteners</p>	
<p>Combination 22 IDPO PP × L and HFW 5,0 × L or IDPO PA × L and HFW 5,0 × L</p>	
<p>Annex 22 of European Technical Assessment ETA-12/0579</p>	

	
<p>LI 40 x 82</p> 	<p>HFW 5,0 x L</p> 
<p>IDP Flat Roof Fasteners</p>	
<p>Combination 23 LI 40 x 82 and HFW 5,0 x L</p>	
<p>Annex 23 of European Technical Assessment ETA-12/0579</p>	

	
<p>LI 40</p>  <p style="text-align: center;">A-A</p>  <p style="text-align: center;">A</p>	<p>HFW 5,0 x L</p>  <p style="text-align: center;">T25</p>
<p>IDP Flat Roof Fasteners</p>	
<p>Combination 24 LI 40 and HFW 5,0 x L</p>	
<p>Annex 24 of European Technical Assessment ETA-12/0579</p>	

	
<p>LI 50</p>  	<p>HFW 5,0 x L</p> 
<p>IDP Flat Roof Fasteners</p>	
<p>Combination 25 LI 50 and HFW 5,0 x L</p>	
<p>Annex 25 of European Technical Assessment ETA-12/0579</p>	

	
LI 70 	HFW 5,0 x L 
IDP Flat Roof Fasteners	
Combination 26 LI 70 and HFW 5,0 x L	
Annex 26 of European Technical Assessment ETA-12/0579	

	
<p>LI 40 x 40</p> 	<p>HFW 5,0 x L</p> 
<p>IDP Flat Roof Fasteners</p>	
<p>Combination 27 LI 40 x 40 and HFW 5,0 x L</p>	
<p>Annex 27 of European Technical Assessment ETA-12/0579</p>	

Characteristic values of axial loading resistance [kN]								
Ann. No.	IDP Flat Roof Fasteners		Substrate					
			Steel sheet S280GD acc. to EN 10346					
	Fastener	Washer/sleeve	t ≥ 0,50 mm	t ≥ 0,63 mm	t ≥ 0,75 mm	t ≥ 0,88 mm	t ≥ 1,00 mm	t ≥ 1,25 mm
1	HFST	IDP PP	0,79	1,26	1,32	1,35	-	-
1		IDP PA	0,79	1,26	1,32	1,72	-	-
2		IDPO PP	0,79	1,26	1,32	1,34	-	-
2		IDPO PA	0,79	1,26	1,32	1,72	-	-
3		LI 40x82	0,79	1,26	1,32	1,72	-	-
4		LI 40	0,79	1,26	1,32	1,72	-	-
5		LI 50	0,79	1,26	1,32	1,72	-	-
6		LI 70	0,79	1,26	1,32	1,72	-	-
7		LI 40x40	0,79	1,26	1,32	1,72	-	-
8	HFSD	IDP PP	-	-	1,02	1,27	1,35	1,35
8		IDP PA	-	-	1,02	1,27	1,51	1,79
9		IDPO PP	-	-	1,02	1,27	1,34	1,34
9		IDPO PA	-	-	1,02	1,27	1,51	1,80
10		LI 40x82	-	-	1,02	1,27	1,51	1,99
11		LI 40	-	-	1,02	1,27	1,51	1,99
12		LI 50	-	-	1,02	1,27	1,51	1,99
13		LI 70	-	-	1,02	1,27	1,51	1,99
14		LI 40x40	-	-	1,02	1,27	1,51	1,99
15	HFHD	LI 40x82 H	-	-	1,02	1,27	1,51	1,99

IDP Flat Roof Fasteners	Annex 28 of European Technical Assessment ETA-12/0579
Characteristic values of axial loading resistance	

Characteristic values of axial loading resistance [kN]					
Ann. No.	IDP Flat Roof Fasteners		Substrate		
			Concrete acc. to EN 206	Embedment depth [mm]	Drill hole diameter [mm]
	Fastener	Washer/sleeve	≥ C20/25		
16	HFC	IDP PP	1,36	30	5
16		IDP PA	1,84		
17		IDPO PP	1,33		
17		IDPO PA	1,85		
18		LI 40x82	2,23		
19		LI 50	2,88		
20		LI 70	2,88		

Characteristic values of axial loading resistance [kN]				
Ann. No.	IDP Flat Roof Fasteners		Substrate	
			Wood acc. to EN 14081	Embedment depth [mm]
	Fastener	Washer/sleeve	≥ C24	
21	HFW	IDP PP	1,38	20
21		IDP PA	1,96	
22		IDPO PP	1,37	
22		IDPO PA	1,94	
23		LI 40x82	1,96	
24		LI 40	1,96	
25		LI 50	1,96	
26		LI 70	1,96	
27		LI 40x40	1,96	

IDP Flat Roof Fasteners	Annex 29 of European Technical Assessment ETA-12/0579
Characteristic values of axial loading resistance	